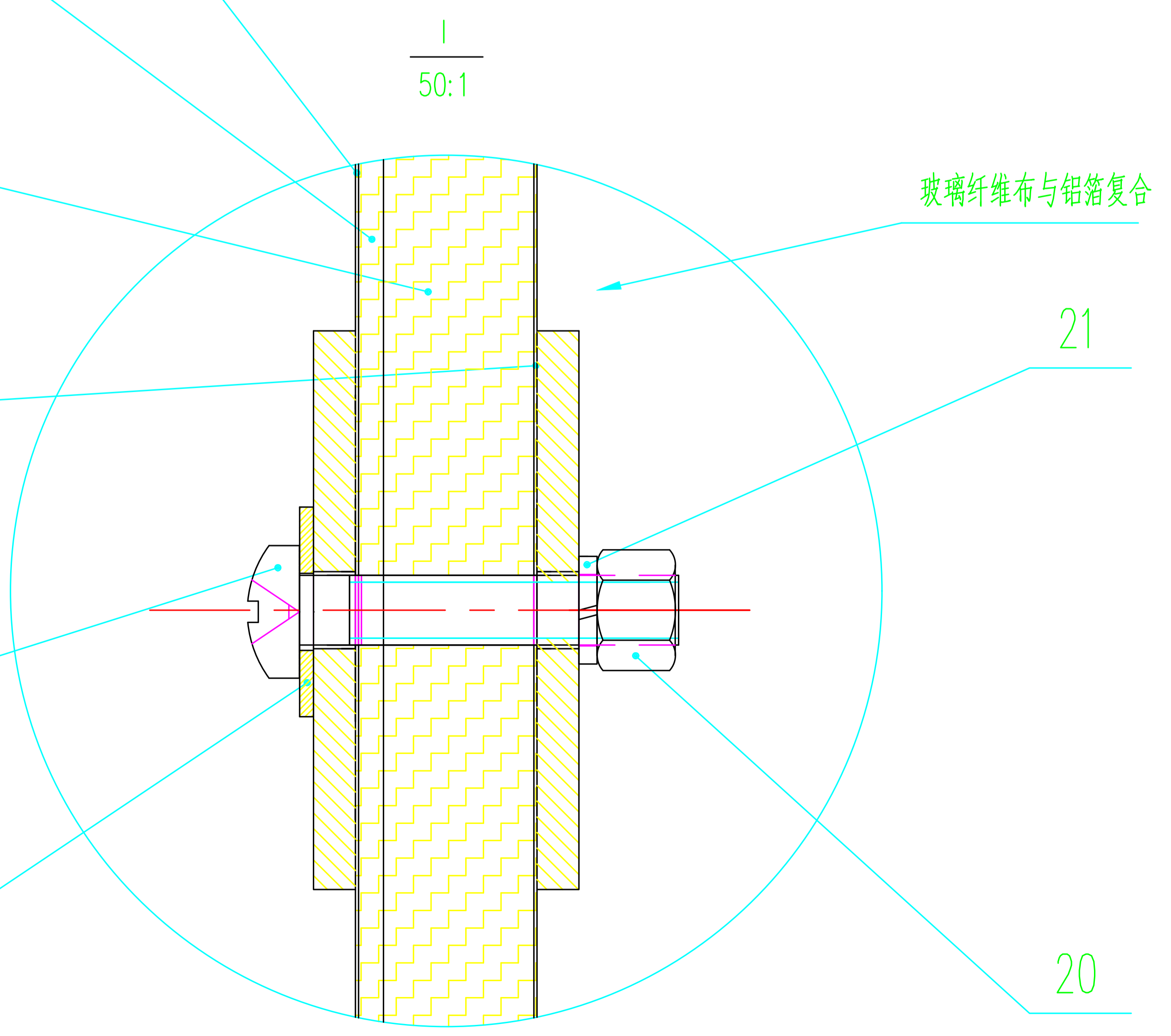
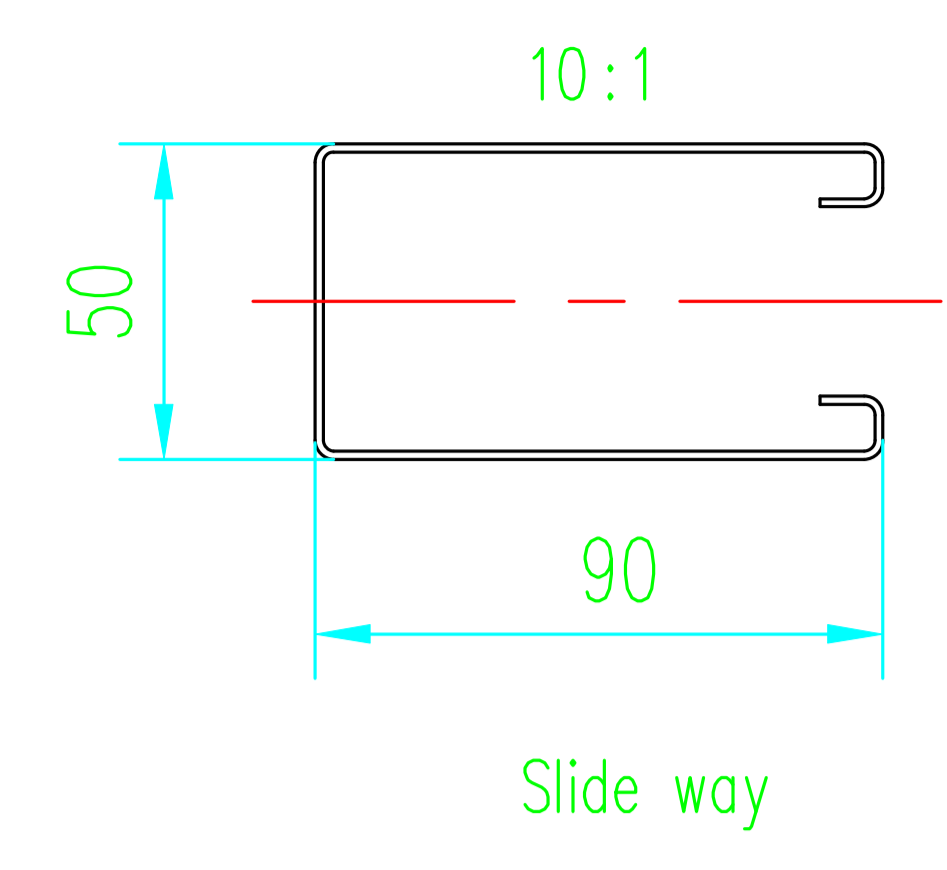
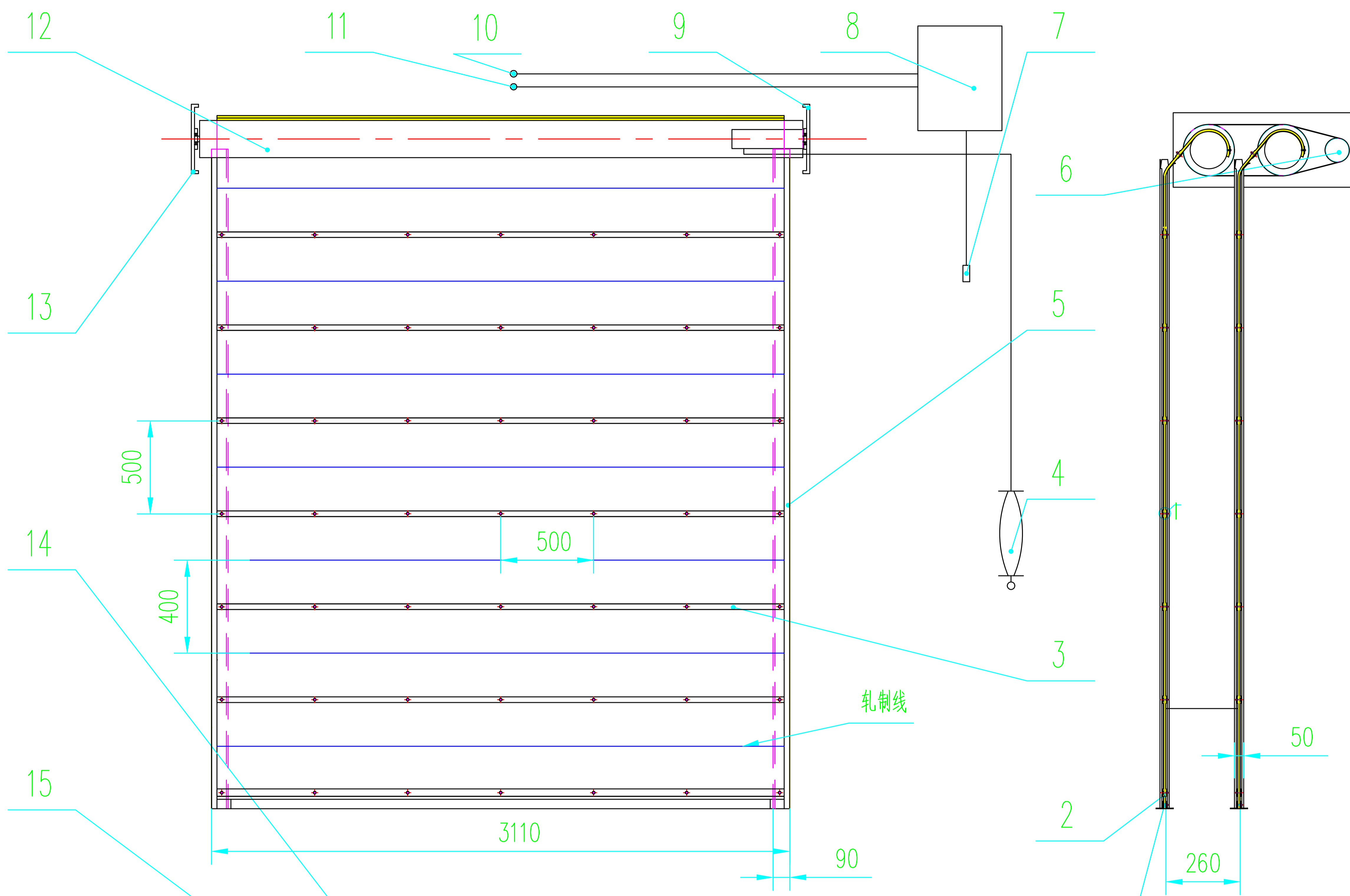


09Z-S-C-FJ-003003-(W)TFJ



21	GB/T93-1987	Standard spring washer	126	φ5			
20	GB/T41-2000	Hex Nut Grade C	126	M5			
19	GB/T96-2002	Large gasket chamfer type - Class C	126	φ5			
18	GB/T948-1988	Cross recessed pan head screw	126	M5			
17		Fireproof roller shutter and radiation proof cloth		Inorganic fibersδ0.22			
16		Ceramic fiber felt		Inorganic fibers			
15		Fireproof cloth		Inorganic fibersδ2			
14		Fireproof roller shutter decorative fabric		Inorganic fibersδ0.22			
13		End plate 2	1	Q235			δ4
12		Scroll	2	Q235			φ114X2.5 Welded pipe
11		Temperature sensing probe	1				
10		Smoke detector probe	1				
9		End plate 1	1	Q235			δ4
8	FJK-S(F)D-TKD-LJ	Controller	1				
7		Button box	2				
6		Double chain wheel fireproof rolling door machine	1				
5		Slide way	4				50X90
4		Temperature controlled release device					
3		rib plate	32				30X6
2		Bottom beam	2				50
1		Counterweight beam	2				50X50

Serial number	Code name	Name	Quantity	Material	singleton	Total	Remarks
					Weight	Weight	
							YUOU(LUOYANG) DOORS AND WINDOWS TECHNOLOGY CO., LTD
							Special grade double track inorganic fabric fireproof rolling shutter door
							TFJ(W)-300300-TF3-C Z-S-260

标记	处数	更改文件号	签字	日期
设计			标准化	
审核				
工艺			日期	

图样标记	重量	比例
		1:35
共 页	第 页	

YUOU(LUOYANG) DOORS AND WINDOWS TECHNOLOGY CO., LTD
 Special grade double track inorganic fabric fireproof rolling shutter door
 TFJ(W)-300300-TF3-C Z-S-260