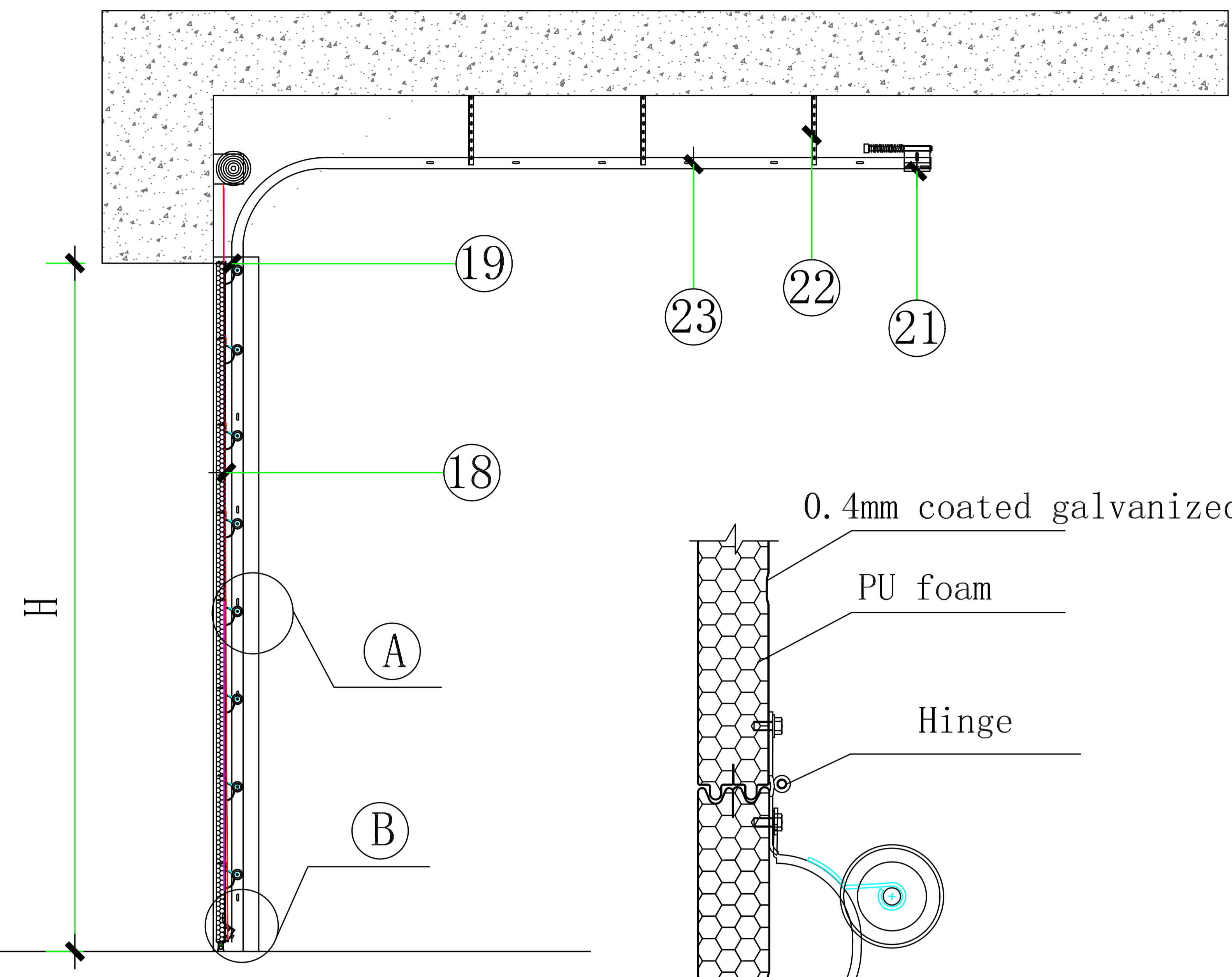
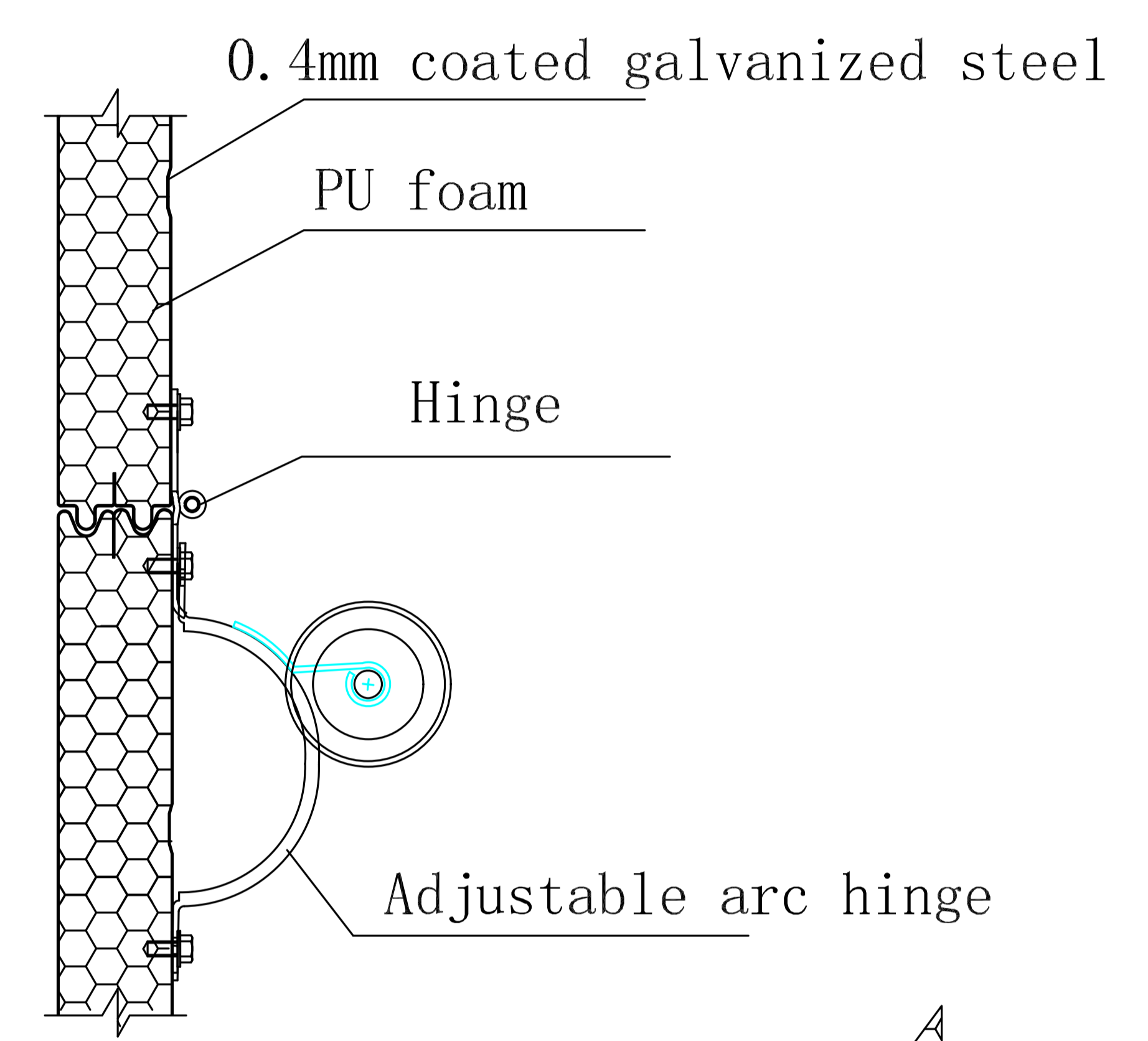


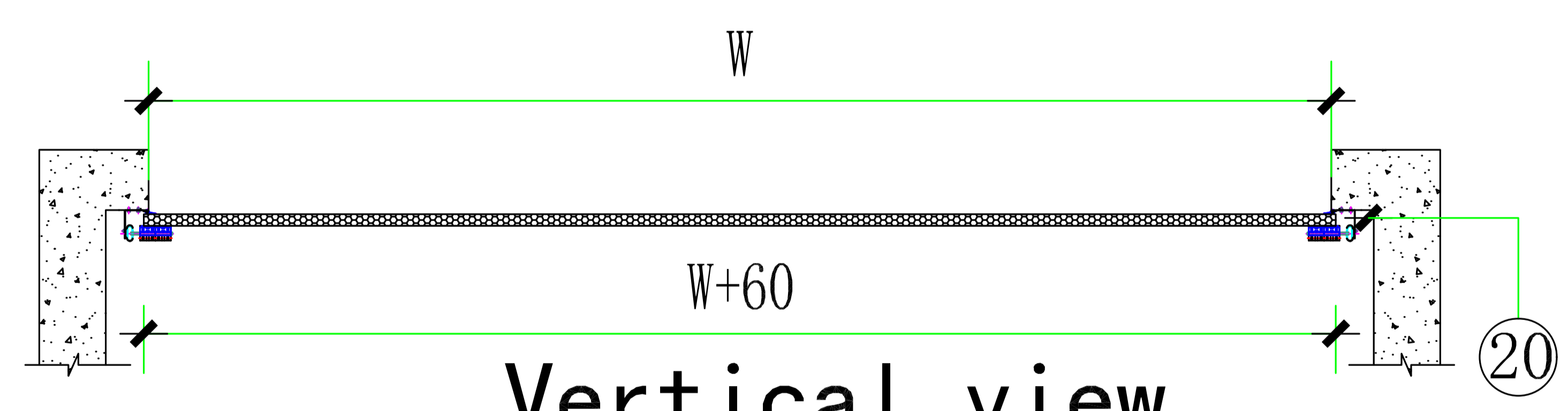
Front view



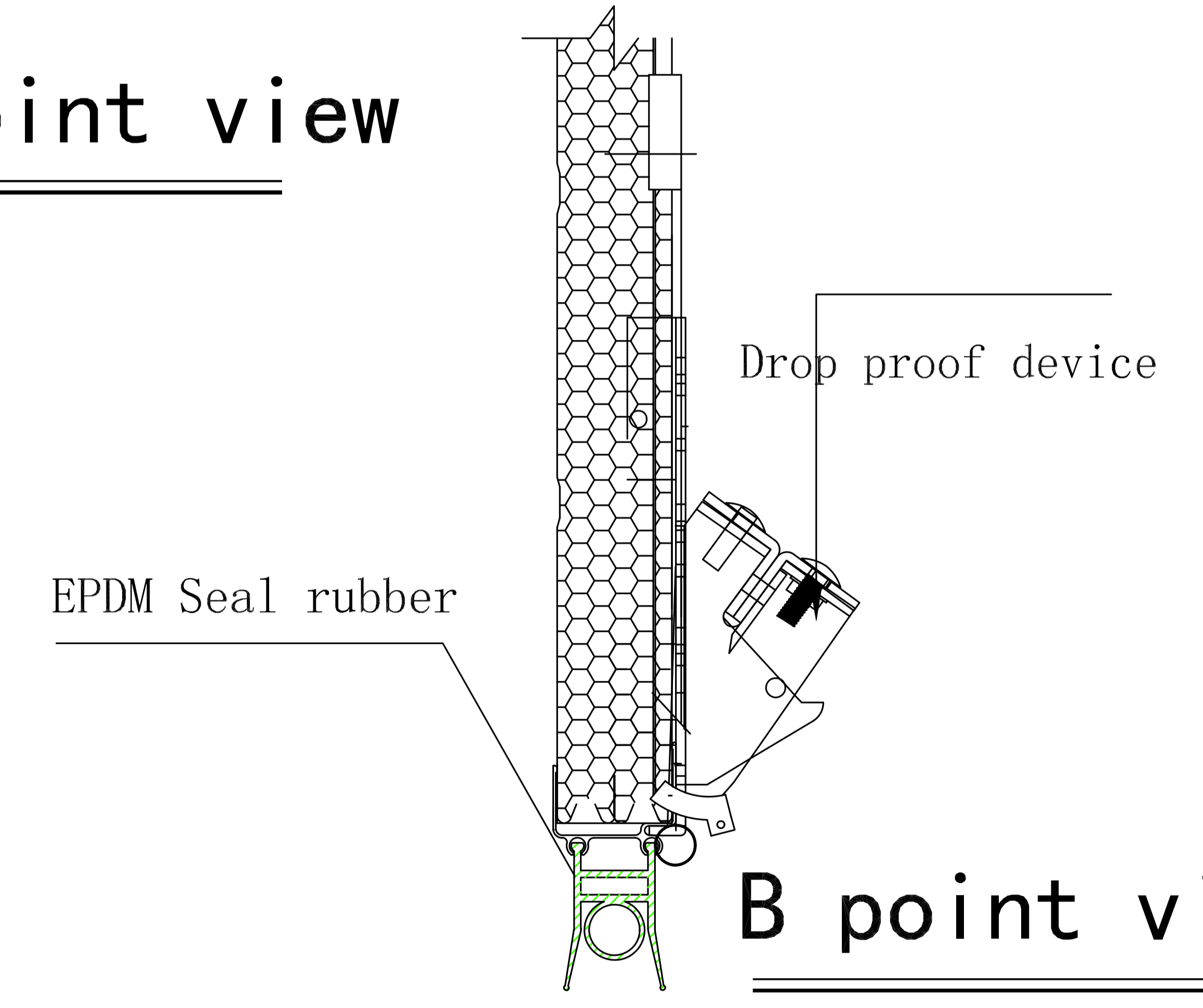
Side view



A point view



Vertical view



B point view

1	Drop protection device	7	Reel	13	Motor220V±10%/50Hz	19	Brace
2	Arc hinge	8	φ25.4 Shaft	14	Manual chain	20	Cover
3	Central hinge	9	60si2Mn Sping	15	Button box	21	Buffer
4	φ5.0mm steel cord	10	EPDM Seal rubber	16	Wheel	22	Brace
5	vertical guide rail	11	Coupling	17	Wireless safety sensor	23	Horizontal guide rail
6	Fixing angle steel	12	Brace	18	50mm panel	24	

Mark NO.	Document NO.	Sign	Date
Design			
		Date	

Sectional Door

YUDU Industrial Door		
Design mark	Weight	Scale
		1:30
Total	NO.	
W*H		